

TATUNG UTILITY CENTER CABINET

ASSEMBLY INSTRUCTION

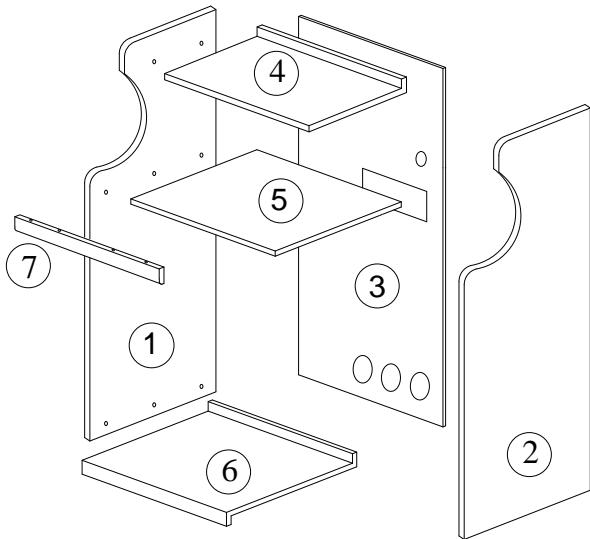
MODEL # KDRC-588

REMOVE ALL ITEMS FROM THE BOX 1-2 AND BOX 2-2. VERIFY ALL PIECES BEFORE ASSEMBLY

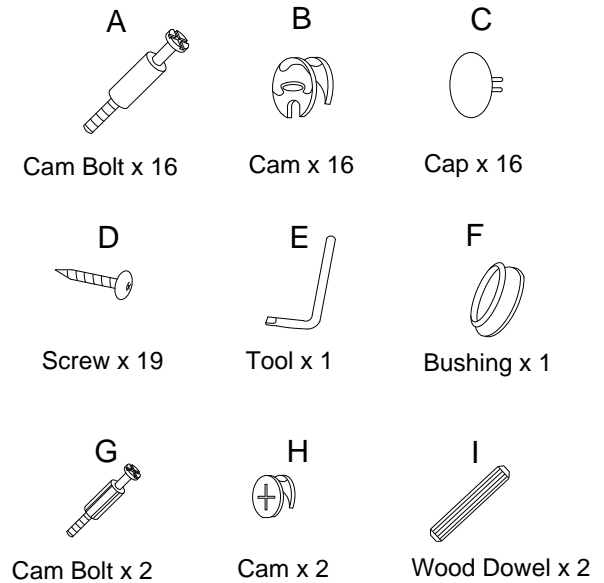
BOX 1 OF 2: (4), (5), (6), (7), (A), (B), (C), (D), (E), (F), (G), (H), (I)

BOX 2 OF 2: (1), (2), (3).

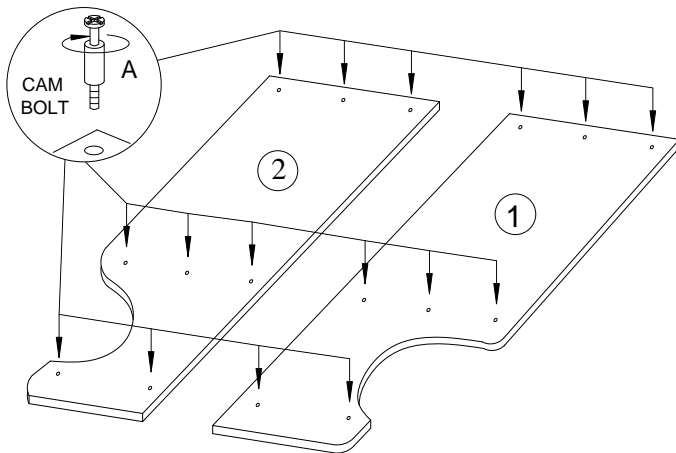
COMPONENTS



HARDWARE

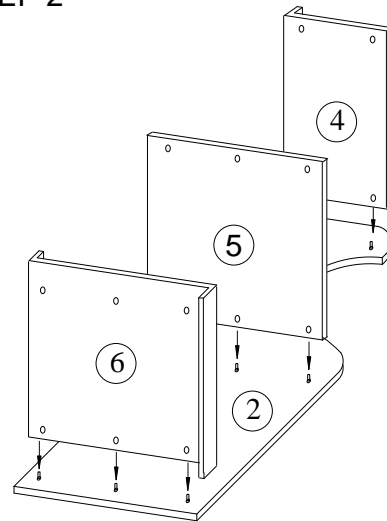


STEP 1



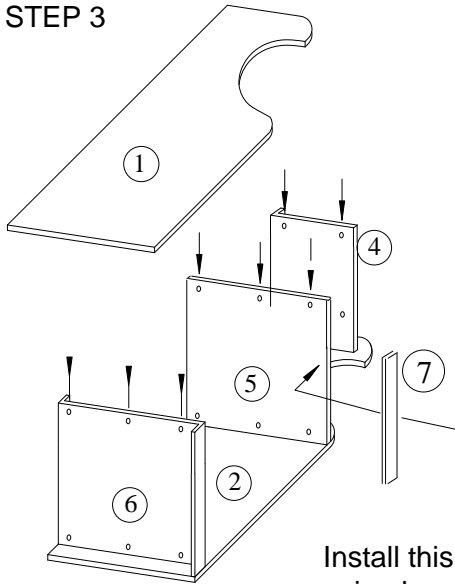
1.1 Securely screw cam bolts (A) into the panel (1) and panel (2).

STEP 2



2.1 Attach panel (4), (5), (6) onto panel (2) by aligning each cam bolt to its corresponding hole.

STEP 3



Install this cross bar **ONLY** using hardware (G), (H), (I) when you install the Tatung refrigerator model TR-4RD series into this cabinet.

3.1 Attach panel (4), (5), (6) onto panel (2) by aligning each cam bolt to its corresponding hole.

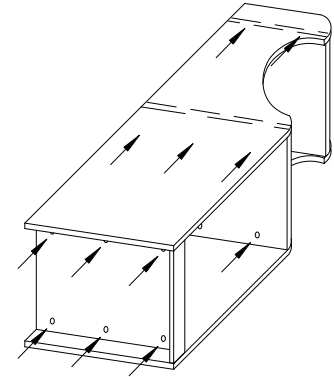
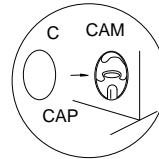
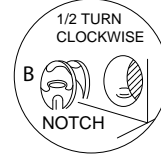
STEP 4

Tool needed



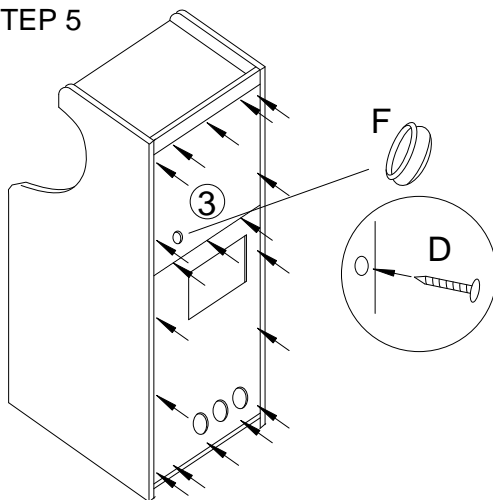
(OPTION)
THE 5/16" SLOTTED
TOOL HAS THE BEST
RESULT TO TIGHTEN
CAMS.

5/16" \ominus
slotted



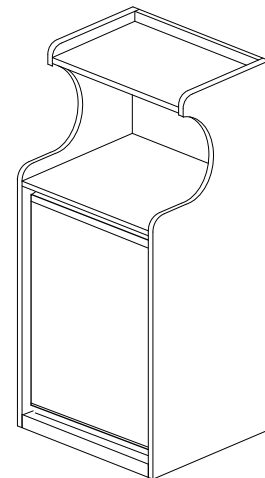
4.1 Insert cam (B) into holes in panel (4), (5), (6) with notch on cam facing head of cam bolt (A).
4.2 Tighten cam (B) approximately 1/2 turn clockwise until snug
4.3 Press cap (C) into cam (B).

STEP 5



5.1 Attach back panel (3) by tightening screw (D) into the pre-drilled holes of back panel (3).
5.2 Snap in the bushing (F) on the top hole of panel (3).

STEP 6



6.1 After placing refrigerator in cabinet, remove the protection cardboard.